

# Outdoor Unit



**AUX**  
AIR CONDITIONER

# Outdoor Unit



## Product Lineup

Series	Appearance	Refrigerant	Type	12kBtu/h	18kBtu/h	24kBtu/h	30kBtu/h	36kBtu/h	42kBtu/h	48kBtu/h	60kBtu/h
Outdoor Units		R32	DC Inverter	•	•		•	•	•	•	•
Compact Cassette		R32	DC Inverter	•	•						
Cassette		R32	DC Inverter			•		•	•	•	•
Ceiling & Floor		R32	DC Inverter		•	•		•	•	•	•
Duct		R32	DC Inverter		•	•	•	•	•	•	

## Features



WiFi Control



Central Control



Fast Cooling/Heating



Digital Tube Display



Auto Restart Function



Hydrophilic aluminum fin

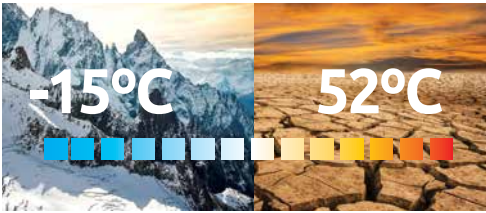
# Project Tender



# Outdoor Unit

## Auto Restart Function

The operation state with all your preferred settings is restored following a power failure.



## Wide Operation Range

Whether the temperature reaches as high as 52°C in the hot summer or down to -15C in the cold winter, AUX Commercial airconditioners function perfectly, making it feel like spring all year round!



## High Quality Compressor

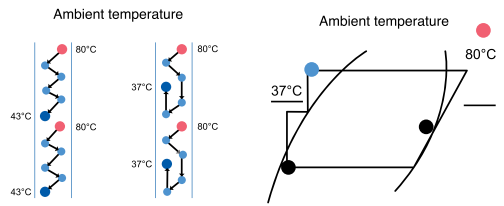
AUX cooperates with the leading compressor manufacturers across the globe, and by customizing the function of components, AUX guarantees the highest performance and reliability standards.

**SEER:**  
A++

**SCOP:**  
A+

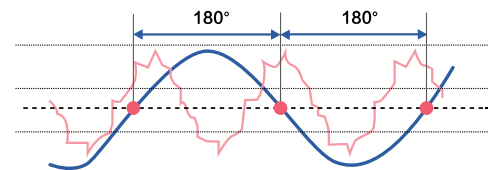
## High Efficiency

Equipped with high efficiency DC Inverter compressor, adjustable fan motor and advanced 180° sine wave vector driver, the system can reach higher than 6.1 in SEER and 4.0 in SCOP meeting the European and Australian new energy efficiency standards.



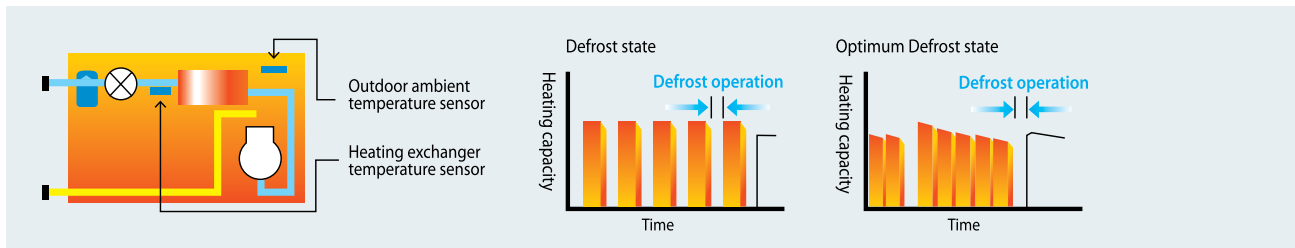
## Optimized Pipeline Design

This design feature ensures the sub-cooling enhances the cooling capacity by separating the refrigerant inlet and outlet.



## 180° Sine Wave Control

DC inverter compressor uses 180° sine wave vector control technique, allowing smoother and more efficient operation of the compressor.



## Intelligent Defrost

The defrosting time can be adjusted automatically according to the environmental temperature, reducing the defrosting time by up to 25%. The intelligent defrosting function enhances heating efficiency by 10%.



# Outdoor Unit

## Specifications

	AL-H12/NDR3A(U)	AL-H18/NDR3A(U)	AL-H24/NDR3A(U)	AL-H30/NDR3A(U)
Power Supply V~,Hz,Ph	220-240/50/1	220-240/50/1	220-240/50/1	220-240/50/1
Max. Input Consumption (W)	2100	2400	3650	5370
Max. Current (A)	11	12	16	23.5
Cooling Capacity (BTU/h)	12000 (4600-15000)	18000 (5200-19100)	24000 (7400-28000)	28660 (8490-31390)
Cooling Capacity (Kw)	3.60 (1.35-4.40)	5.00 (1.53-5.60)	7.00 (2.16-8.20)	8.40 (2.49-9.20)
Heating Capacity (BTU/h)	14300 (4200-18100)	19100 (4800-21200)	27300 (6800-31700)	30700 (9760-32760)
Heating Capacity (Kw)	4.20 (1.24-5.30)	5.60 (1.40-6.20)	8.00 (1.98-9.30)	9.00 (2.86-9.60)
Type - DC Inverter Compressor	ROTARY	ROTARY	ROTARY	ROTARY
Brand - DC Inverter Compressor	GMCC	GMCC	GMCC	GMCC
Capacity - DC Inverter Compressor (W)	3470	4245	7715	7715
Input - DC Inverter Compressor (W)	890	1075	2085	2085
Frequency range Hz	10-120	10-120	12-120	12-120
Brand	WELLING	WELLING	WELLING	WOLONG
Output Power x Fan quantity (W)	40×1	40×1	69×1	120×1
Speed (r/min)	850	850	870	940
Air Flow Volume (CFM)	1529	1529	2206	2235
Air Flow Volume (m3/h)	2600	2600	3750	3800
Sound Pressure Noise Level dB(A)	54	55	58	57
Sound Power Noise Level dB(A)	64	64	67	68
Dimension(W×D×H) - Net (mm)	800×315×545	800×315×545	900×350×700	970×395×805
Weight - Net (kg)	35	37	51	65
Refrigerant Type	R32	R32	R32	R32
Refrigerant Charged Volume (kg)	0.9	1.16	1.4	1.60
Design Pressure Mpa	4.2	4.2	4.2	4.2
Piping - Liquid Side (mm)	6.35(1/4)	6.35(1/4)	9.52(3/8)	9.52(3/8)
Piping - Gas Side (mm)	12.7(1/2)	12.7(1/2)	15.88(5/8)	15.88(5/8)
Water Piping - Drainage (mm)	R3/4in(DN20)	R3/4in(DN20)	R3/4in(DN20)	R3/4in(DN20)
Piping - Max. Length (m)	25	30	50	50
Piping - Max. Height (m)	10	20	25	25
Operation Temperature Range °C	16~32	16~32	16~32	16~32
Ambient Temperature Range(Cooling/Heating) °C	-15~-52/-15~24	-15~-52/-15~24	-15~-52/-15~24	-15~-52/-15~24
Power Wiring (Indoor) mm2	3*1.5	3*1.5	3*1.5	3*1.5
Power Wiring (Outdoor) mm2	3*1.5	3*2.5	2*4+2.5	2*6+2.5
Signal Wiring mm2	2*0.2	2*0.2	2*0.2	2*0.2

## Project Tender



# Outdoor Unit

## Specifications

	AL-H36/NDR3A(U)	AL-H48/SDR3A(U)	AL-H60/SDR3A(U)
Power Supply V~,Hz,Ph	220-240/50/1	380-415/50/3	380-415/50/3
Max. Input Consumption (W)	5370	6800	6900
Max. Current (A)	23.5	27	27
Cooling Capacity (BTU/h)	36000 (9800-44300)	48000 (16241-56298)	55000 (16241-59710)
Cooling Capacity (Kw)	10.55 (2.9-13)	14.00 (4.76-16.50)	16.00 (4.76-17.5)
Heating Capacity (BTU/h)	38000 (8800-46000)	55000 (16309-55104)	58000 (16308-63122)
Heating Capacity (Kw)	11.15 (2.6-13.5)	16.00 (4.78-16.15)	17.00 (4.78-18.50)
Type - DC Inverter Compressor	ROTOR	ROTOR	ROTOR
Brand - DC Inverter Compressor	GMCC	GMCC	GMCC
Capacity - DC Inverter Compressor (W)	10010	13100	13100
Input - DC Inverter Compressor (W)	2765	3465	3465
Frequency range Hz	12-120	12-120	12-120
Brand	WOLONG	Panasonic	Panasonic
Output Power x Fan quantity (W)	120×1	100×2	100×2
Speed (r/min)	940	780	780
Air Flow Volume (CFM)	2353	4235	4235
Air Flow Volume (m3/h)	4000	7200	7200
Sound Pressure Noise Level dB(A)	57	60	60
Sound Power Noise Level dB(A)	66	70	70
Dimension(W×D×H) - Net (mm)	970×395×805	940×370×1325	940×370×1325
Weight - Net (kg)	72	92	92
Refrigerant Type	R32	R32	R32
Refrigerant Charged Volume (kg)	2.54	3.6	3.6
Design Pressure Mpa	4.2	4.2	4.2
Piping - Liquid Side (mm)	9.52(3/8)	9.52(3/8)	9.52(3/8)
Piping - Gas Side (mm)	15.88(5/8)	19.05(3/4)	19.05(3/4)
Water Piping - Drainage (mm)	R3/4in(DN20)	R3/4in(DN20)	R3/4in(DN20)
Piping - Max. Length (m)	65	65	65
Piping - Max. Height (m)	30	30	30
Operation Temperature Range °C	16~32	16~32	16~32
Ambient Temperature Range(Cooling/Heating) °C	-15~52/-15~24	-15~52/-15~24	-15~52/-15~24
Power Wiring (Indoor) mm2	3*1.5	3*1.5	3*1.5
Power Wiring (Outdoor) mm2	2*6+2.5	4*6+4	4*6+4
Signal Wiring mm2	2*0.2	2*0.2	2*0.2

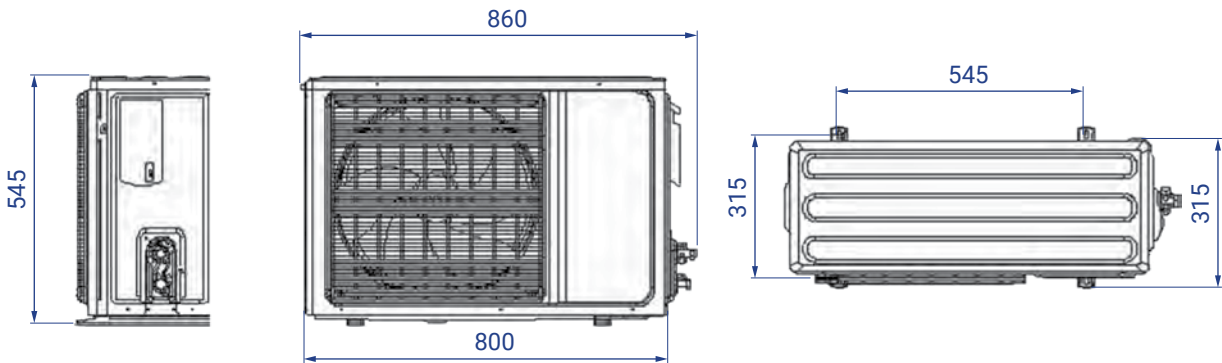
## Project Tender



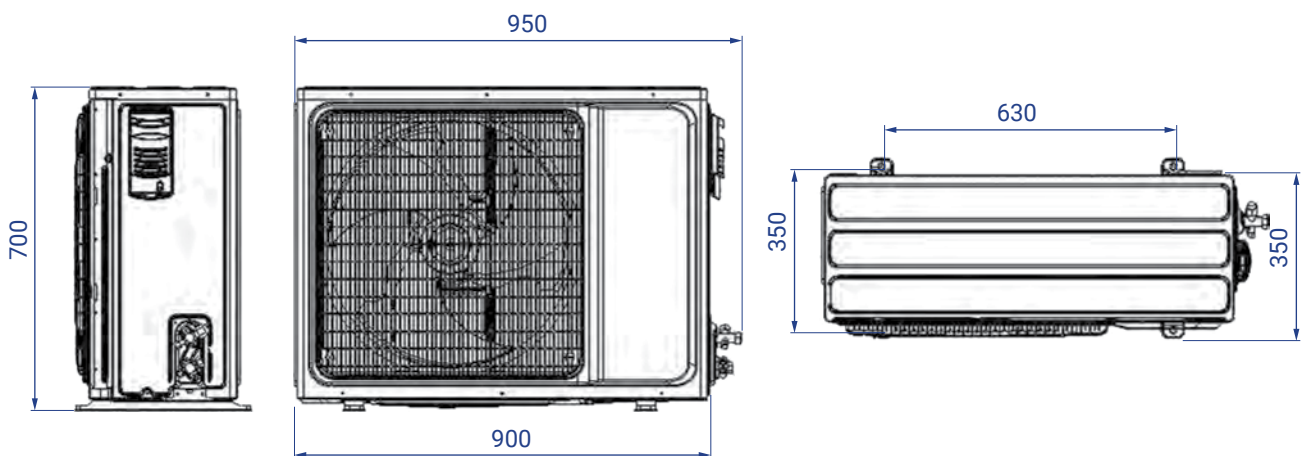
# Outdoor Unit

## ■ Dimensions

### ■ 12K, 18K AUX-C-12CAO, AUX-C-18CAO



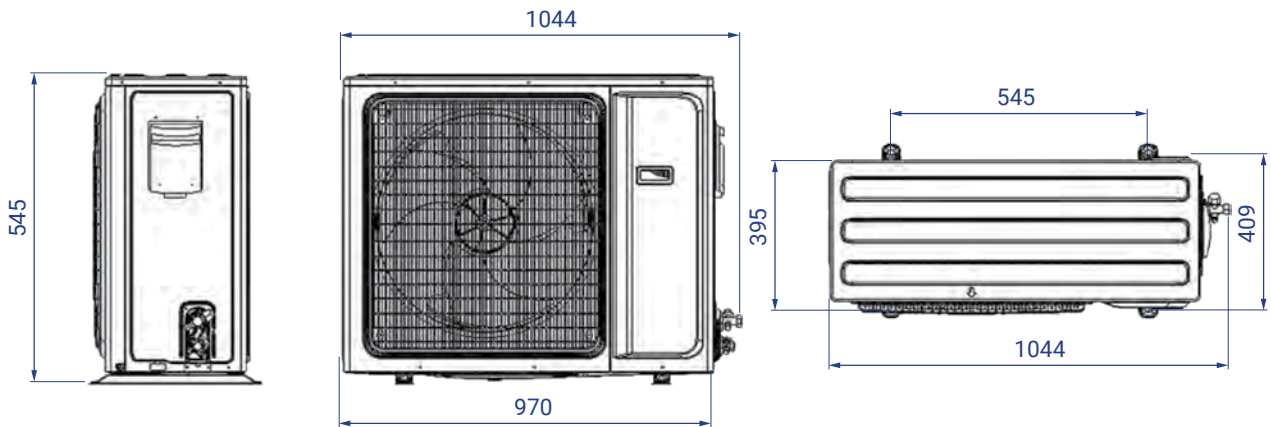
### ■ 24K AUX-C-24CAO



# Outdoor Unit

## ■ Dimensions

■ **30K, 36K, 42K** AUX-C-30CAO, AUX-C-36CAO, AUX-C-42CAO



■ **48K, 60K** AUX-C-48CAO, AUX-C-60CAO

